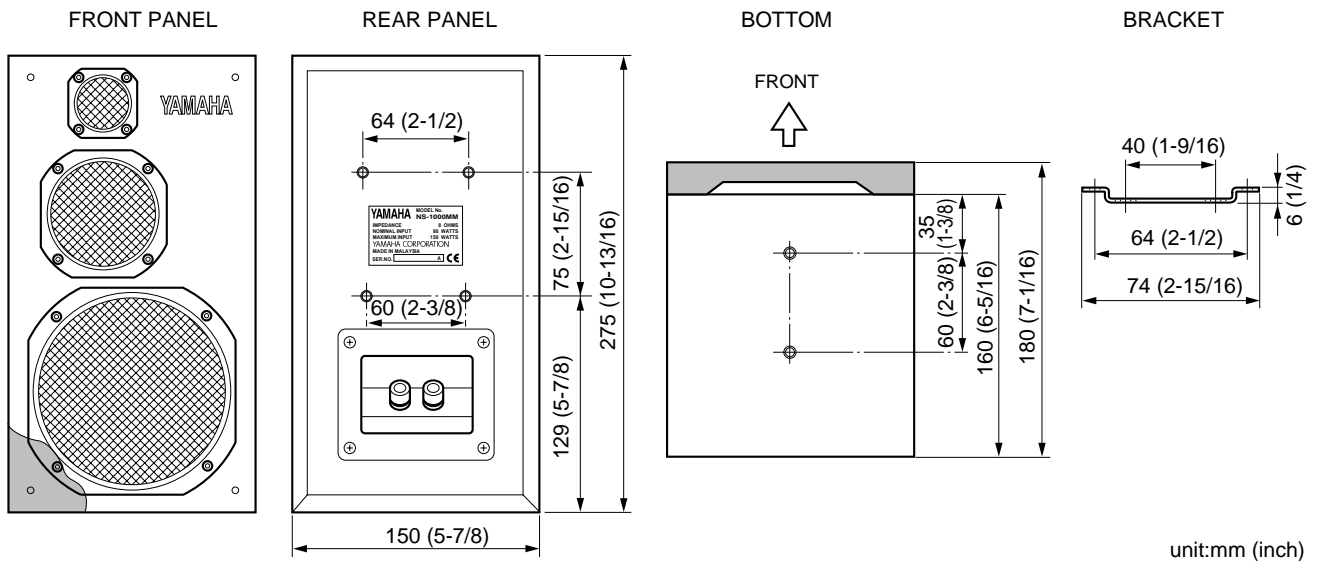


SPEAKER SYSTEM

NS-1000MM(CH)

SERVICE MANUAL

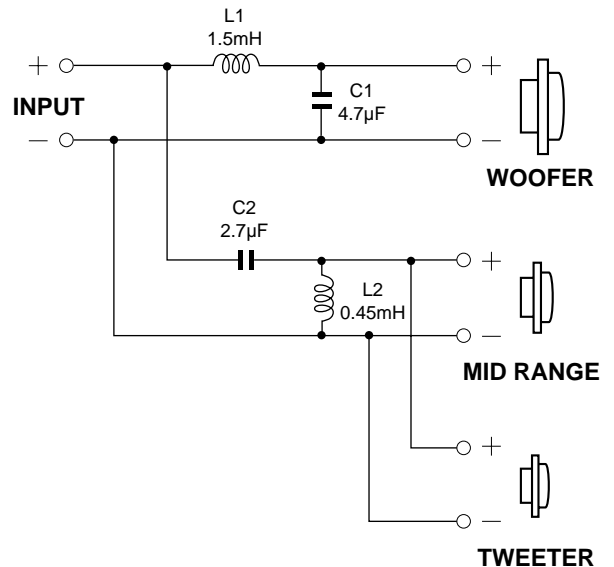
■ DIMENSIONS



■ SPECIFICATIONS

- Type 3-Way Acoustic Suspension
(Magnetic Shielding)
- Speaker Unit**
- Woofer 12 cm (4-3/4") cone
 - Mid Range 2.5 cm (15/16") dome
 - Tweeter 1.5 cm (5/8") dome
- Frequency Response 70 Hz - 24 kHz
- Impedance 6 ohms
- Nominal Input Power 60 W
- Maximum Input Power 150 W
- Sensitivity 86 dB/2.83 V/m
- Crossover Frequency 2.7 kHz
- Input Terminal Screw / Banana Type
- Dimensions (W x H x D) 150 x 275 x 180 mm
(5-7/8" x 10-13/16" x 7-1/16")
- Weight 3.0 kg (6.61 lbs)
- Finish Cherry
- Accessories Speaker cord 10m x 2, Cushion x 4
Bracket x 2, Screw x 4

■ NETWORK CIRCUIT DIAGRAM



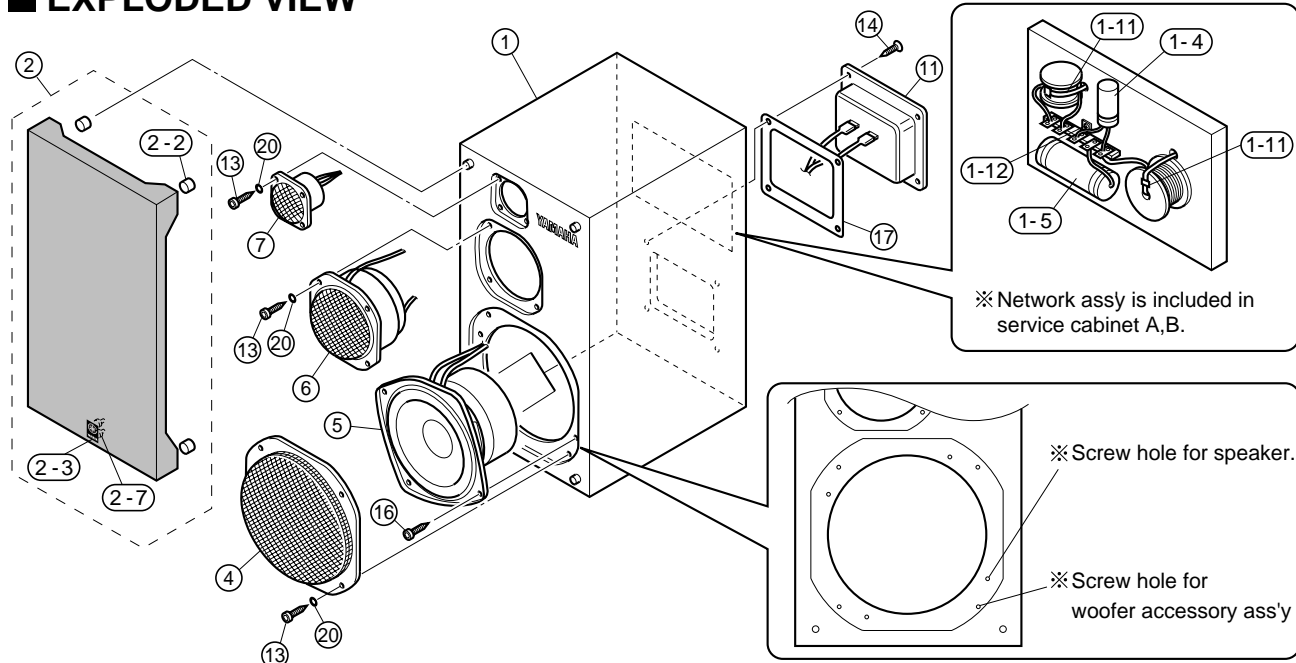
※ Specifications subject to change without notice.



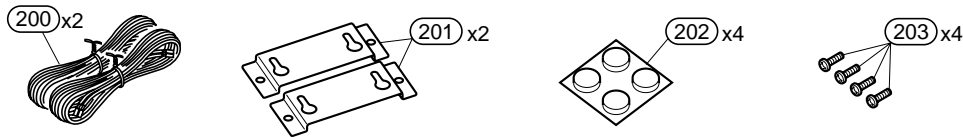
このサービスマニュアルは、エコマーク認定の再生紙を使用しています。
This Service Manual uses recycled paper.



EXPLODED VIEW



Use an Allen wrench (2.5mm) to unscrew the loud speaker.



PARTS LIST

Ref. No.	PART NO.	Description	Remarks	Markets
* 1	V7030300	SERVICE CABINET A(L)		CH
* 1	V7030400	SERVICE CABINET B(R)		CH
1-4	VD929600	ELECTROLYTIC CAP	4.7uF 50V	
1-5	FR116270	METALLIZED POLYESTER FLM.CAP	2.7uF 160V	
1-11	CB069250	BINDING TIE	BK-1	
1-12	EP030200	BIND HEAD TAPPING SCREW	3x8 MFZN2-Y	
* 2	V7031200	FRONT GRILLE ASS'Y		CH
2-2	Vi305800	HOLDER		
* 2-3	V2722900	EMBLEM		
2-7	VP161000	PUSH NUT	SPN1.5	
4	VZ480000	WOOFER ACCESSORY ASS'Y		
5	XT850A00	LOUD SPEAKER/JA1284	12cm 6 Ω 30W	
6	XT851A00	LOUD SPEAKER/JA05T4	2.5cm 6 Ω 30W	
7	XT852A00	LOUD SPEAKER/JA05T5	1.5cm 6 Ω 30W	
11	VZ134300	SPEAKER TERMINAL		
13	VZ409700	HEXAGON HEAD WOOD SCREW	3x15 MFCR33	
14	ER431136	OVAL HEAD WOOD SCREW	3.1x13 MFZN2-BL	
16	EP030440	BINDING HEAD TAPPING SCREW	3x10 MFC2-BL	
17	VZ712100	PACKING	A	
* 20	VZ890800	WASHER	5.5x3x0.3	
		ACCESSORIES		
200	V4585800	SPEAKER CORD	10m 1pc	
201	VV015200	BRACKET	1pc	
202	VV015300	CUSHION	D15xT5 1pc	
203	EG340360	BIND HEAD SCREW	4.0x8 MFZN2BL	

* : New Parts